



CDT3298

1.使用說明

CDT3298 是專門設計應用於汽車倒車聲或警示聲音,BiBi 聲及閃燈可同時使用,應用廣泛

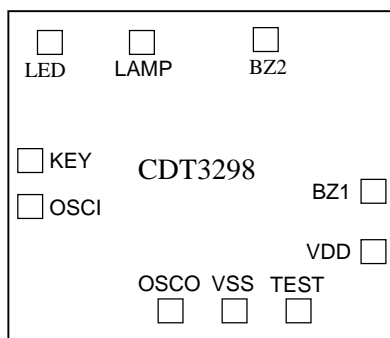
2.特性

- CMOS 製造技術
- 工作電壓範圍：2.0V~5.0V
- 當 KEY 接 VDD 時,LED,LAMP, BZ1,BZ2 同時動作
- LED- sink 輸出
- LAMP- source 輸出
- BZ 可昇壓推 CHUKE 及 PEZZO

3.產品應用

- 汽車倒車聲
- 警示燈
- 其他

4.PAD 位置圖

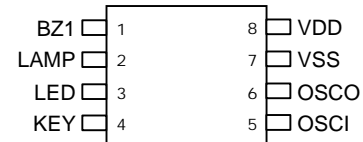


Chip Size = 1210 * 1280 um

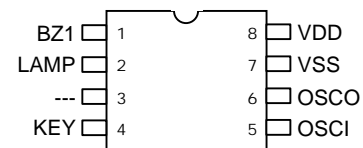
Note : IC 底座接 VDD

5.封裝方式

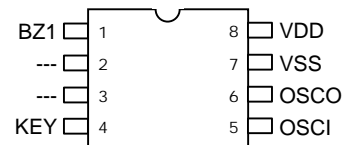
DIP 8PIN



TOP MARK: 3298A



TOP MARK: 3298B



TOP MARK: 3298C

6.腳位說明

	PAD	I/O	Description
1	KEY	I	接 VDD 時,IC 起動
2	OSCI	I	振盪輸入
3	OSCO	O	振盪輸出
4	VSS	P	電源負極
5	TEST	B	測試端
6	VDD	P	電源正極
7	BZ1	O	BUZZER 輸出端
8	BZ2	O	BUZZER 輸出端
9	LAMP	O	Source 輸出端
10	LED	O	Sink 輸出端(負輸出)

7. 最大額定範圍

- Supply Voltage ----- - 0.3V to 5.0V
- Input Voltage ----- VSS-0.3 to VDD+0.3
- Operating Temperature ----- 0 to 70
- Storage Temperature----- - 50 to 125

* Note : Stresses above those listed may cause permanent damage to the devices.

8. 電氣特性

(VDD=3V, TA = 25 , unless otherwise specified)

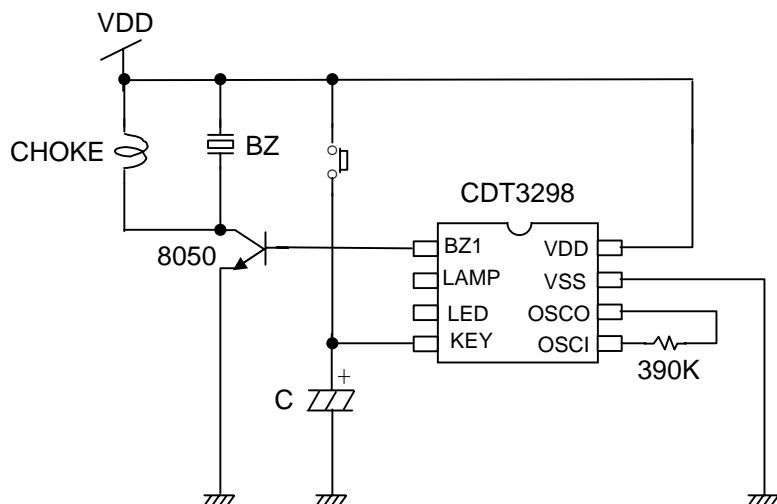
Symbol	Parameter	Condition	Min.	Typ.	Max.	Unit
VDD	Supply Voltage		2.0	3.0	5.0	V
ISTB	Standby Current	@VDD = 3V, no load			5	μ A
		@VDD = 5V, no load			10	
IDD	Operating Current	@VDD = 3V, no load		30	150	μ A
IOL	Sink Current (LED)	@VDD = 3V, VOL=1.0V	20			mA
IOH	Source Current (LED)	@VDD = 3V, VOH=1.0V	100			μ A

9. 功能描述

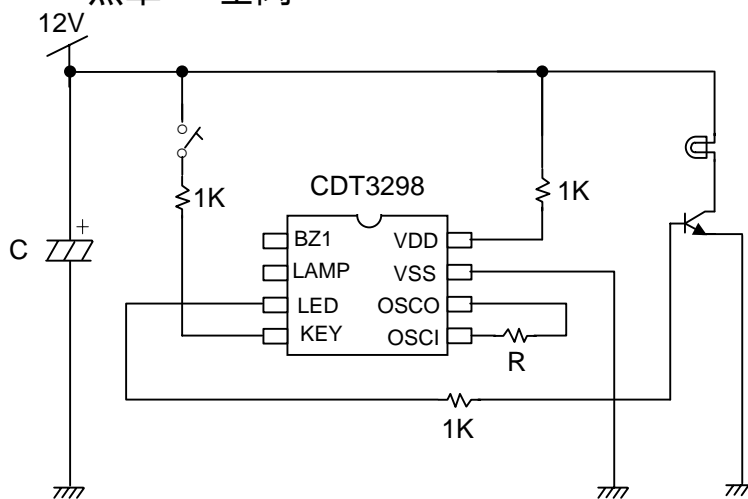
1. 聲音 : 倒車 Bi Bi 連續聲
2. BZ1, BZ2 : 倒車聲 輸出端
 - : a. BZ1 -- duty = 1/3
 - : b. BZ2 -- duty = 1/6
3. KEY : LEVEL HOLD 方式, 接 VDD
4. Rosc : 外接電阻調整速度
5. LAMP : 正輸出-接 NPN 8050 電晶體, 隨 Bi Bi 聲亮滅
6. LED : 負輸出-接 NPN 8050 電晶體, 隨 Bi Bi 聲亮滅

10.應用線路

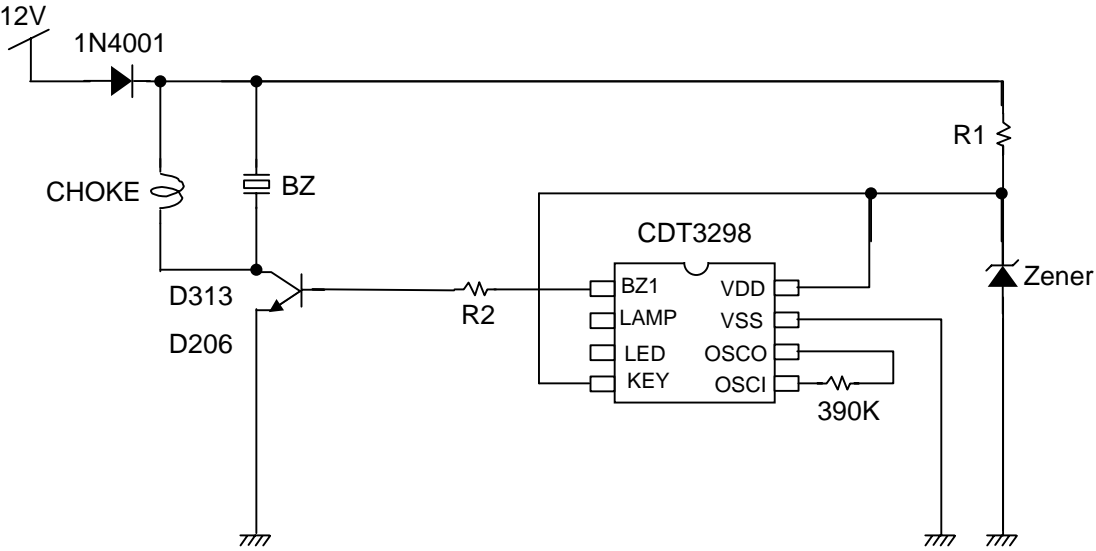
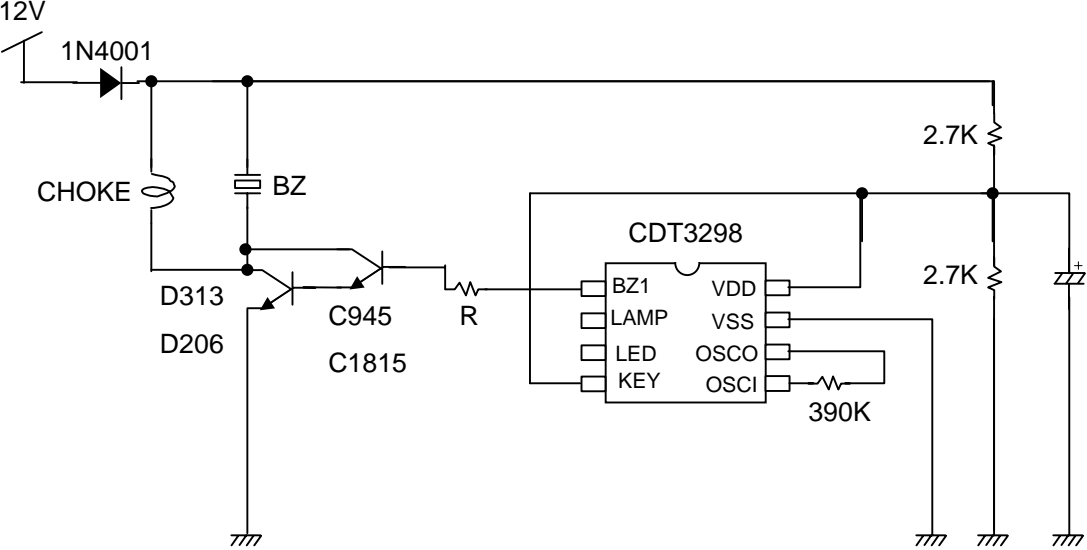
1. 當按 PS 鍵時, BZ 響幾聲後停止

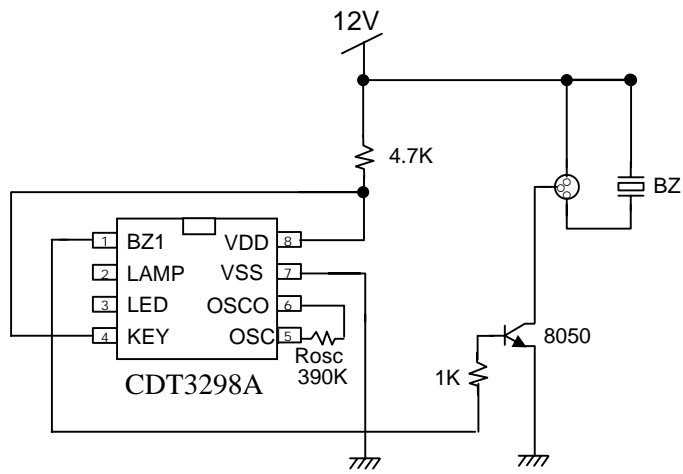


2. 12V 應用 – 平常 – 全亮
煞車 – 全閃

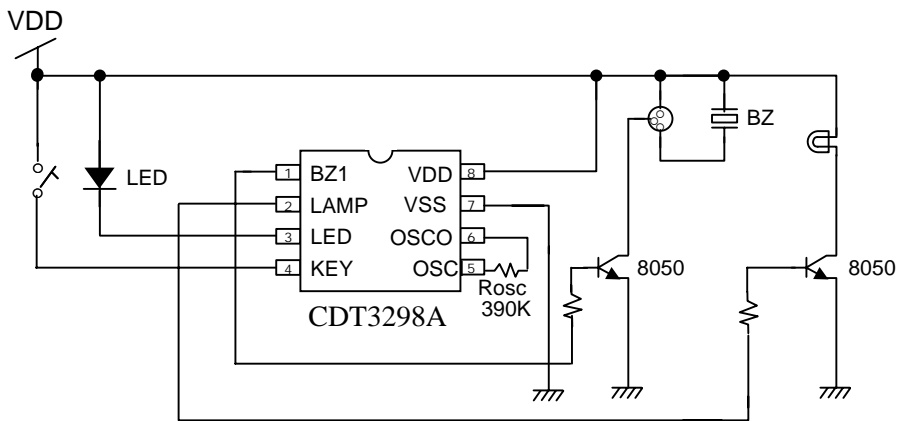


CDT-3298 應用線路



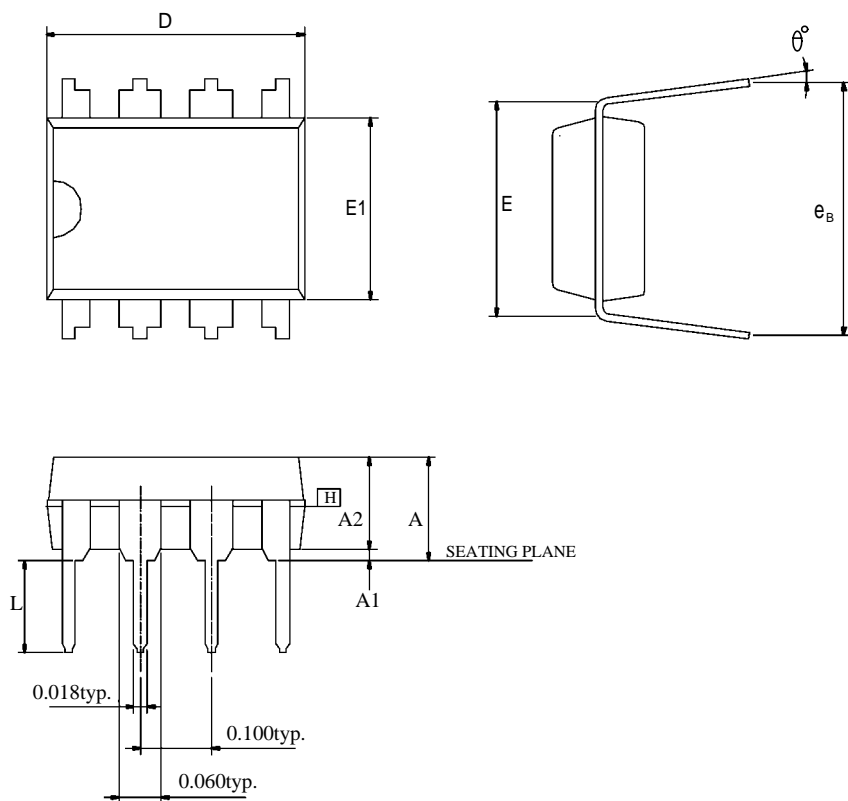


倒車聲應用線路



12. 封裝外觀圖

• 8-pin DIP outline dimensions



Symbols	MIN.	NOR.	MAX.
A	-	-	0.210
A1	0.015	-	-
A2	0.125	0.130	0.135
D	0.355	0.365	0.400
E	0.300 BSC.		
E1	0.245	0.250	0.255
L	0.115	0.130	0.150
e_B	0.335	0.355	0.375
θ	0	7	15

UNIT: INCH

NOTES.

- JEDEC OUTLINE : MS-001 BA
- "D", "E1" DIMENSIONS DO NOT INCLUDE MOLD FLASH OR PROTRUSIONS. MOLD FLASH OR PROTRUSIONS SHALL NOT EXCEED 0.010 INCH.
- e_B IS MEASURED AT THE LEAD TIPS WITH THE LEADS UNCONSTRAINED.
- POINTED OR ROUNDED LEAD TIPS ARE PREFERRED TO EASE INSERTION.
- DISTANCE BETWEEN LEADS INCLUDING DAM BAR PROTRUSIONS TO BE 0.005 INCH MINIMUM.
- DATUM PLANE H COINCIDENT WITH THE BOTTOM OF LEAD, WHERE LEAD EXIT BODY.

* CDT assumes no responsibility for the use of the specification described. CDT reserves the right to modify the product specification without notice. (以上規格僅供參考，本公司得逕行修正，不另通知)